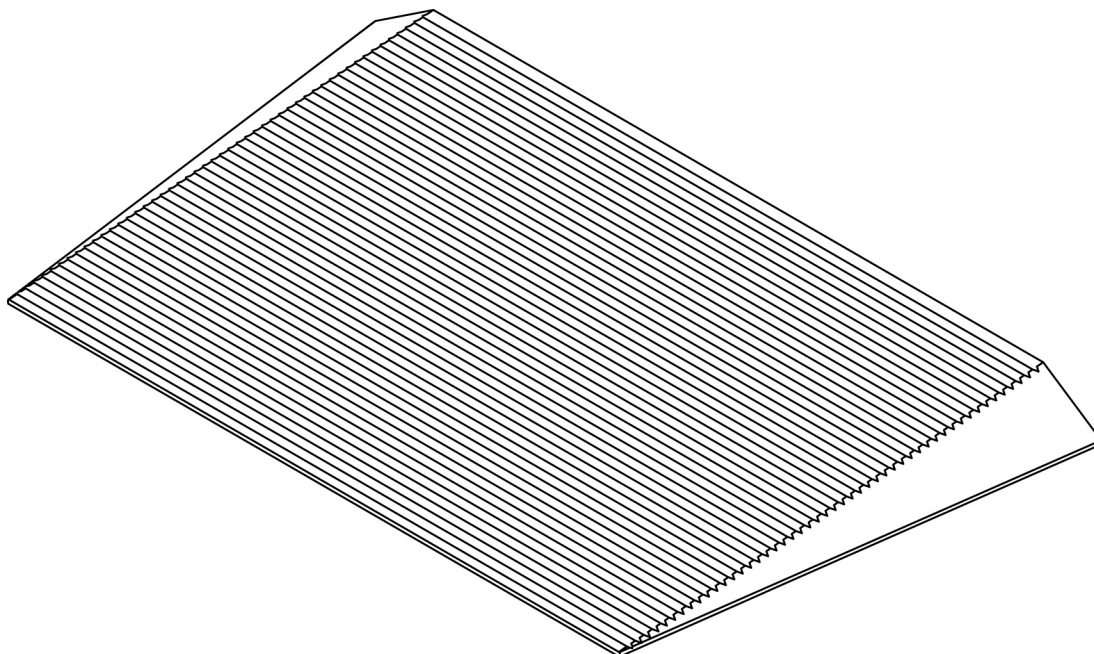


# Instructions

## TRANSITIONS® Angled Entry Mat

Available in 1½" and 2½" heights



LIFETIME WARRANTY. Please register at [www.ezaccess.com/warranty-satisfaction](http://www.ezaccess.com/warranty-satisfaction).  
For select models, CE Technical Files kept at: 3 THE TROSSACHS, CLANCY STRAND,  
LIMERICK, V94 83H6, IRELAND (for questions, contact EZ-ACCESS).

© EZ-ACCESS, a division of Homecare Products, Inc. All rights reserved.

All text and images contained in this document are proprietary and may not be shared, modified,  
distributed, reproduced, or reused without the express written permission of EZ-ACCESS®.



## **SYMBOLS**

- ⚠ The **WARNING** symbol indicates a potentially hazardous condition/situation. The warnings throughout this document, and on your equipment, if any, are for the protection of people and property. Failure to abide by warnings will result in a waiver of all liabilities, loss of your warranty, and could result in equipment damage and or failure, property damage, risk of serious bodily injury, and or death to operators, riders, and those nearby. The symbol may appear in various colors and in conjunction with other symbols.

## **WARNINGS**

- ⚠ Maximum weight capacity is 850 lbs.; never exceed weight capacity.
- ⚠ Prior to assembly and use, read and follow all instructions and warnings. Following all instructions and obeying all warnings before and during use is necessary for safe operation. For additional information or to obtain replacement copies of instructions, call 1-800-451-1903.
- ⚠ Before use with mobility equipment, refer to your mobility equipment's owner guide for acceptable usage, including proper slope/incline, chair direction, etc.; never exceed its recommendations.
- ⚠ Always use a lap belt if using the mat with mobility equipment.
- ⚠ Use the mat with a qualified helper as needed.
- ⚠ Before each use, ensure that the mat is not damaged or unstable; failure to do so may cause injury.
- ⚠ Ensure that the landing the mat will be placed on is substantial and of sound construction.
- ⚠ Use only if the secure, unobstructed, level landing can support, at minimum, the same weight capacity as the mat (850 lbs.).
- ⚠ Ensure that the mat is used on a secure, unobstructed, level landing that is sound enough to safely install anchoring hardware, and that the mat is flush against the raised landing. If a secure, unobstructed, level landing cannot be attained, or if the mat is not flush against the raised landing, do not use the mat.
- ⚠ Do not use the mat unless sufficient maneuvering room is available at both ends of the mat to assure safe travel when entering and exiting the mat.
- ⚠ Ensure that the mat is securely anchored before each use.
- ⚠ The mat surface may be slippery in wet conditions; use caution if the surface is wet as traction may be reduced.
- ⚠ Do not use the mat if its surface is covered with ice, snow, dirt, leaves, or other debris. Remove accumulations and sweep the surface clean before use.
- ⚠ Improper use of the mat could result in serious injury.
- ⚠ Always exercise caution when handling, installing, and or using the mat.

## **TOOLS TYPICALLY REQUIRED**

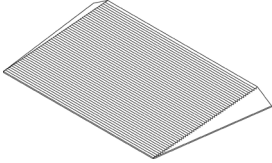
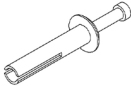


- POWER DRILL
- PHILLIPS HEAD SCREWDRIVER OR BIT
- ¼" DRILL BIT
- ¼" MASONRY DRILL BIT (IF ANCHORING INTO CONCRETE)
- HAMMER (IF ANCHORING INTO CONCRETE)
- MEASURING TAPE
- MARKING DEVICE FOR TRIMMING OR NOTCHING
- LEVEL OR STRAIGHT EDGE FOR TRIMMING OR NOTCHING
- APPROPRIATE TOOL(S) FOR TRIMMING OR NOTCHING

## 1. **GETTING STARTED**

- 1.1 Read this instruction manual in its entirety before use and follow all instructions before and during use.
- 1.2 Before use with mobility equipment, refer to your mobility equipment's owner guide for acceptable incline usage, including proper slope/incline, chair direction, etc.; never exceed its recommendations.
- 1.3 Before each use, ensure that the mat is not damaged or unstable; failure to do so may cause injury.
- 1.4 Confirm that all package contents are present. Open the shipping box and inspect for damaged or missing parts. If damaged or missing parts are noted, do not use the mat.

## 2. **PACKAGE CONTENTS**

Mat design may vary depending on the model/style purchased.

QTY	DESCRIPTION	IMAGE (NOT SHOWN TO ACTUAL SIZE)
1	EZ-ACCESS® TRANSITIONS® ANGLED ENTRY MAT	
2	MUSHROOM HEAD DRIVE PIN ANCHOR ¼" X 1¼"	
2	SCREW #10 X 3½" CSK PHILLIPS HEAD CERAMIC COATED	
1	INSTRUCTIONS	

## 3. **CARE AND MAINTENANCE**

- 3.1 Keep the mat surface clear of ice, snow, dirt, leaves, and other debris. For ice and or snow, remove all accumulations and sweep surface clean. For dirt, leaves, and other debris, sweep surface or wash with a soft bristle brush and non-alkaline detergent; rinse well.
  - ▲ The mat surface may be slippery in wet conditions. Use caution if surface is wet as traction may be reduced.
- 3.2 Ensure that the mat is always flush against the raised landing.
- 3.3 Before each use, ensure that the mat is not damaged or unstable; failure to do so may cause injury.

#### 4. **PLACEMENT**

- 4.1 If the raised landing is equal to the height of the mat's top edge (or within a ¼" variance), place the mat in its intended location and use as is.
  - 4.1.1 Ensure that the location is free of dirt and debris.
- 4.2 Ensure that the mat is flush against the raised landing and that its top edge does not exceed a ¼" height variance (FIG. 1).
- 4.3 If trimming or notching is needed, see 'TRIM/NOTCH' section; otherwise, skip to 'ANCHOR' section.

#### 5. **TRIM/NOTCH**

- 5.1 The mat can be easily trimmed to accommodate lower heights and, if necessary, notched to suit the doorjamb configuration. If the raised landing is less than the height of the mat, trim mat to the desired height (FIG. 2).
  - ▲ Trimming can only be done to decrease the height of the mat, not the width.
  - ▲ Use caution when using hand tools as serious injury may result due to unexpected binding or pinching of the rubber mat material. Always follow hand tool manufacturer's safety guidelines.

#### 6. **ANCHOR**

- 6.1 To ensure that the mat does not move from its intended location, place the mat and anchor in both locations shown (FIG. 3).
  - ▲ Ensure that the mat is securely anchored before each use.
    - 6.1.1 ANCHOR TO WOOD: Using provided (2 ea.) Phillips head screws, spaced evenly approximately 1" from each lower corner edge as shown (FIG. 3), drive screws through the mat and into the wood surface until the head is seated just below the mat surface.
    - 6.1.2 ANCHOR TO CONCRETE: Using a ¼" diameter masonry bit, drill a hole through the mat and 2" deep into the concrete, spaced evenly approximately 1" from each lower corner edge as shown (FIG. 3). Remove debris from drilled holes, then drive the provided (2 ea.) ¼" diameter mushroom head pin anchors through the mat and into the holes with a hammer until the head is seated just below the mat surface.

