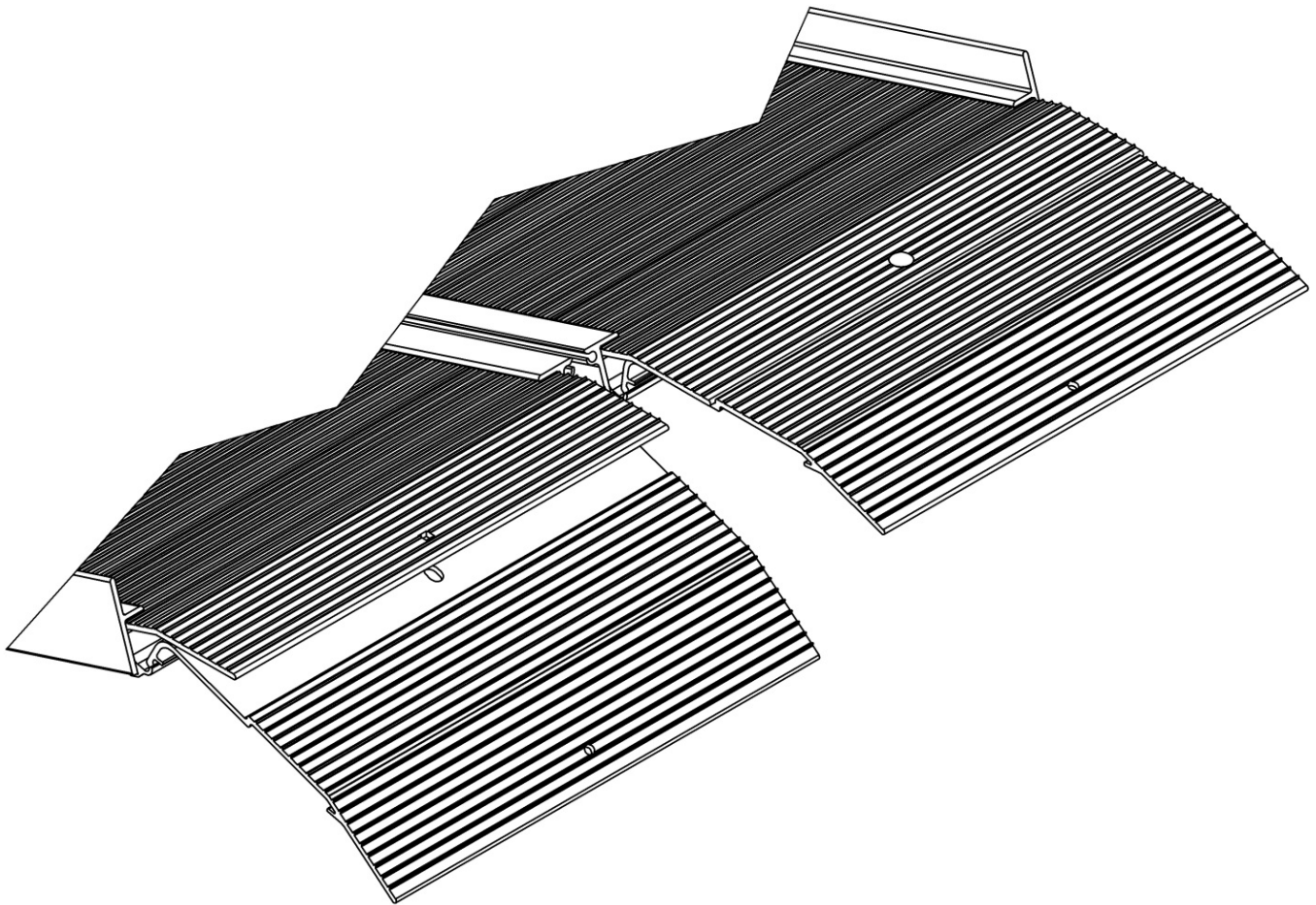


# Instructions

## SUITCASE® Top Lip Extension



## **INTRODUCTION**

1. If the ramp's top lip transition plates are not long enough to fully overlap a secure, unobstructed, level landing, a SUITCASE® Top Lip Extension ('TLE') is an available option that increases the standard 3" reach of the top lip transition plates to 9", in many cases, allowing the ramp to clear an obstruction to create a smooth transition. Visit [www.ezaccess.com](http://www.ezaccess.com) or call 1-800-451-1903 for more information.
  - ▲ Use of the TLE reduces overall ramp weight capacity to 500 lbs.; never exceed weight capacity.
  - ▲ If a secure, unobstructed, level landing cannot be attained, do not use the TLE or ramp.
2. The TLE must be used in pairs and is designed only for use with an appropriate EZ-ACCESS® SUITCASE® Singlefold, Singlefold AS, TRIFOLD® AS, or OEM equivalent ramp. If you have questions concerning compatibility, please call 1-800-451-1903. Before use, read the ramp's instruction manual in its entirety and follow all instructions before and during use.

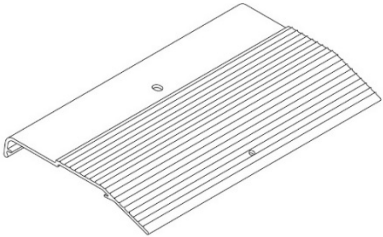

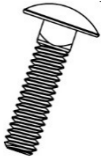



## **SYMBOLS**

- ▲ The **WARNING** symbol indicates a potentially hazardous condition/situation. The warnings throughout this document, and on your equipment, if any, are for the protection of people and property. Failure to abide by warnings will result in a waiver of all liabilities, loss of your warranty, and could result in equipment damage and or failure, property damage, risk of serious bodily injury, and or death to operators, riders, and those nearby. The symbol may appear in various colors and in conjunction with other symbols.
- ✎ The **NOTE** symbol indicates important information. Failure to obey all notes could result in improper operation, less-than-optimum equipment performance, and at the sole discretion of the equipment manufacturer, may void your warranty. The symbol may appear in various colors and in conjunction with other symbols.

## **WARNINGS**

- ▲ Maximum weight capacity is 500 lbs. (use of the TLE reduces overall ramp weight capacity to 500 lbs.); never exceed weight capacity.
- ▲ Prior to assembly and use, read and follow all instructions, warnings, and labels. Following all instructions and obeying all warnings before and during use is necessary for safe operation. For additional information or to obtain replacement copies of instructions or labels, call 1-800-451-1903.
- ▲ For wheelchairs and scooters only; not for commercial use.
- ▲ Before using the TLE with ramp, refer to your mobility equipment's owner guide for acceptable ramp usage, including proper slope/incline, chair direction, etc.; never exceed its recommendations.
- ▲ Only use the TLE with ramp with a qualified helper and always use a lap belt.
- ▲ Before each use, check the TLE and ramp for worn, loose, or damaged parts. If you find any of these conditions, do not use the TLE or ramp. Contact your dealer for service or repairs; failure to do so may cause injury.
- ▲ Do not use the TLE with ramp if TLE and or ramp are damaged or unstable.
- ▲ Do not tamper with, attempt to repair, or modify any portion of the TLE with ramp.
- ▲ Ensure that the landing the TLE will be placed on is substantial and of sound construction.
- ▲ Use only if the secure, unobstructed, level landing can support, at minimum, the same weight capacity as the TLE (500 lbs.).
- ▲ Ensure that the surface area of both TLEs fully overlaps a secure, unobstructed, level landing enough to safely install provided clevis pins or other non-provided anchoring hardware, and rests firmly against the upper landing. If a secure, unobstructed, level landing cannot be attained, do not use the TLE or ramp.
- ▲ Ensure that the TLE with ramp is securely anchored before each use.
- ▲ Use only if sufficient maneuvering room is available at both ends of the ramp with TLE to assure safe travel when entering and exiting the ramp.
- ▲ Do not use the TLE with ramp unless the carriage bolts, washers, and nylon locknuts are secure.
- ▲ The TLE or ramp surfaces may become slippery in wet conditions; use caution if surfaces are wet as traction may be reduced.
- ▲ Do not use if TLE or ramp surfaces are covered with ice, snow, dirt, leaves, or other debris. Remove all accumulations and sweep surfaces clean before use.
- ▲ The TLE must be used in pairs and is designed only for use with an appropriate EZ-ACCESS® SUITCASE® Singlefold, Singlefold AS, TRIFOLD® AS, or OEM equivalent ramp. If you have questions concerning compatibility, please call 1-800-451-1903.
- ▲ Improper use of the TLE with ramp could result in serious injury.
- ▲ Always exercise caution when handling, installing, and or using the TLE.

## PACKAGE CONTENTS

QTY	DESCRIPTION	IMAGE (NOT SHOWN TO ACTUAL SIZE)
2	EZ-ACCESS® SUITCASE® TOP LIP EXTENSION	
2	NUT HEX .25-20 NYLON INSERT LOCKNUT ZINC PLATED STEEL	
2	BOLT CARRIAGE SQUARE NECK .25-20 x .75 ZINC PLATED STEEL	
2	WASHER - FLAT 1/4 ID X 5/8 OD ZINC PLATED STEEL	
1	HOOK & LOOP SELF-CINCHING STRAP	
1	INSTRUCTIONS	

## CARE AND MAINTENANCE

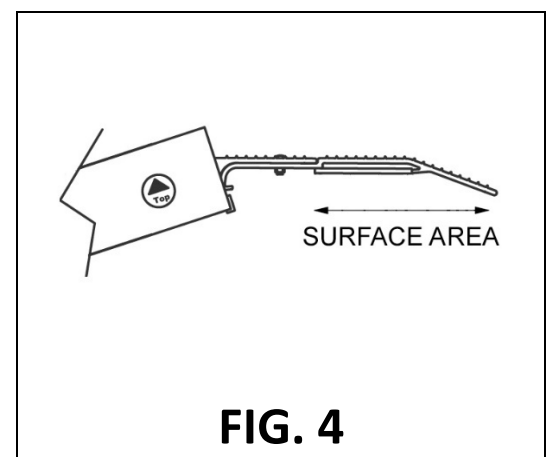
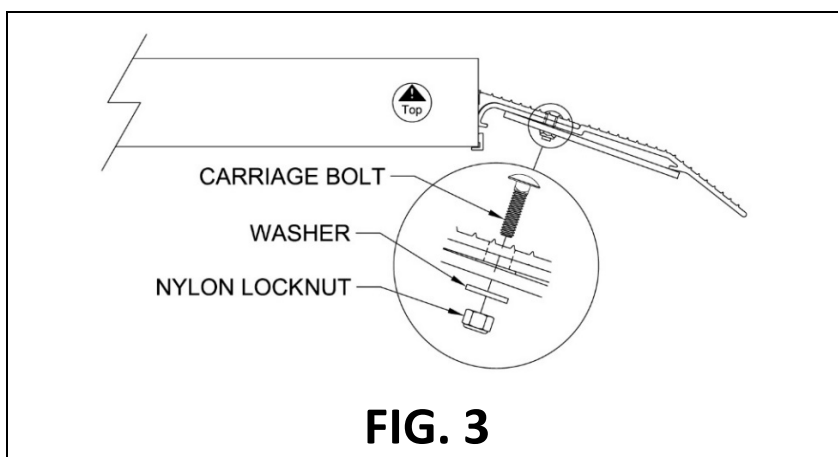
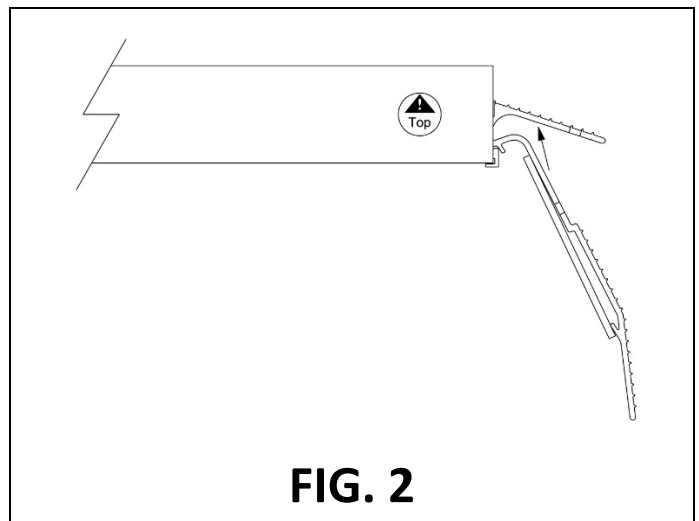
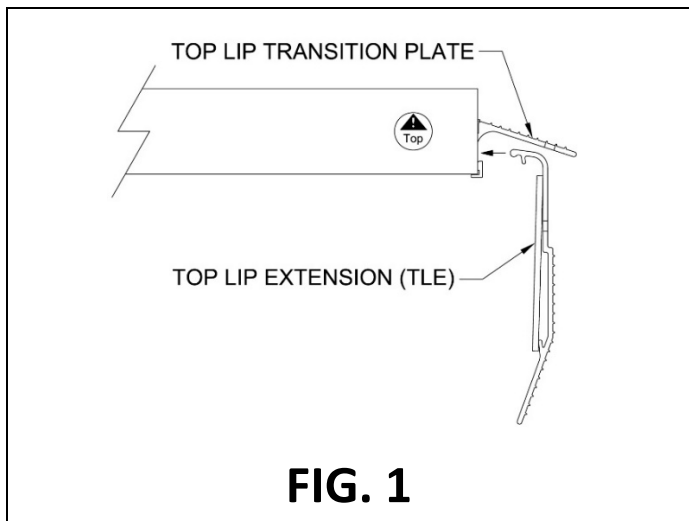
- Before each use, check the TLE and ramp for worn, loose, or damaged parts. If you find any of these conditions, do not use the TLE or ramp.
  - ⚠ Do not tamper with, attempt to repair, or modify any portion of the TLE with ramp.
- Keep the TLE and ramp surfaces clear of ice, snow, dirt, leaves, and other debris. For ice and or snow, remove all accumulations and sweep surfaces clean before use. For dirt, leaves, and other debris, sweep the surfaces or wash with a soft bristle brush and non-alkaline detergent; rinse well.
  - ⚠ The TLE and ramp surfaces may be slippery in wet conditions; use caution if surfaces are wet as traction may be reduced.
- Store the TLE in a cool, dry place when not in use.

## GETTING STARTED

1. Read this instruction manual in its entirety before use and follow all instructions before and during use.
2. Before using the TLE and ramp, refer to your mobility equipment's owner guide for acceptable ramp usage, including proper slope/incline, chair direction, etc.; never exceed its recommendations.
3. Before each use, check the TLE and ramp for worn, loose, or damaged parts. If you find any of these conditions, do not use the TLE or ramp.
4. Confirm that all package contents are present. Open the shipping box and inspect for damaged or missing parts. If damaged or missing parts are noted, do not use the TLE.

## SET UP AND USE

1. Ensure that you have received two each TLE.
  - ▲ The TLE must be used in pairs and is designed only for use with an appropriate EZ-ACCESS® SUITCASE® Singlefold, Singlefold AS, TRIFOLD® AS, or OEM equivalent ramp. If you have questions concerning compatibility, please call 1-800-451-1903.
2. Open the ramp (refer to SUITCASE® or OEM equivalent ramp instructions) and insert one TLE under a top lip transition plate as shown (FIG. 1).
3. Rotate the TLE upward (FIG. 2). Ensure that the TLE is firmly seated in the top lip transition plate and that the square hole in the top lip transition plate is aligned with the hole in the TLE.
4. Install a carriage bolt through the square hole in the top lip transition plate and through the TLE, then secure with a washer and nylon locknut on the underside of the TLE (FIG. 3). Tighten securely.
5. Repeat previous steps for attachment of the second TLE to the remaining top lip transition plate.
  - ▲ Do not use the TLE with ramp unless the carriage bolts, washers, and nylon locknuts are secure.
6. Ensure that the surface area of both TLEs fully overlaps a secure, unobstructed, level landing enough to safely install provided clevis pins or other non-provided anchoring hardware, and rests firmly against the upper landing (FIG. 4).



7. Securely anchor the TLE with ramp to the upper landing (FIG. 5).
  - ▲ Ensure that the TLE with ramp is securely anchored before each use.
    - a. TEMPORARILY: To attach temporarily using the provided clevis pins, position the TLE with ramp securely and use the hole in each TLE as a template to drill corresponding ¼" holes into the landing (ensure drilled holes are deep enough to fully seat each clevis pin). Fully insert a clevis pin (FIG. 6) through the pre-drilled hole in each TLE and into the corresponding drilled holes in the landing.
    - b. SEMI-PERMANENTLY: To attach semi-permanently using non-provided anchoring hardware, position the TLE with ramp securely and use the hole in each TLE as a template to identify anchor locations. Install non-provided anchoring hardware flush with the surface of TLE and ensure that it does not create a hazard.
      - 👉 Semi-permanent anchoring hardware is not provided.
      - ▲ When using non-provided anchoring hardware, follow hardware manufacturer's installation instructions, ensuring that hardware is of sufficient type and size to prevent slippage or undo movement.
8. Before use, refer to the overview of the TLE with ramp (FIG. 6) to ensure proper application.
9. For stowage and transportation, connect each TLE together by fastening the provided hook and loop strap.
  - 👉 Applies only when using the TLE on an EZ-ACCESS® SUITCASE® TRIFOLD® AS or OEM equivalent ramp.
    - a. Fold the ramp into its carrying position (refer to ramp instructions).
    - b. Loop one end of the self-cinching strap over the flat bar.
    - c. Pull the strap down, enough to fold the tip of the strap back onto itself (FIG. 7), then press firmly to adhere.
    - d. Repeat for the other end of the strap, inserted through the second TLE (FIG. 8).

