



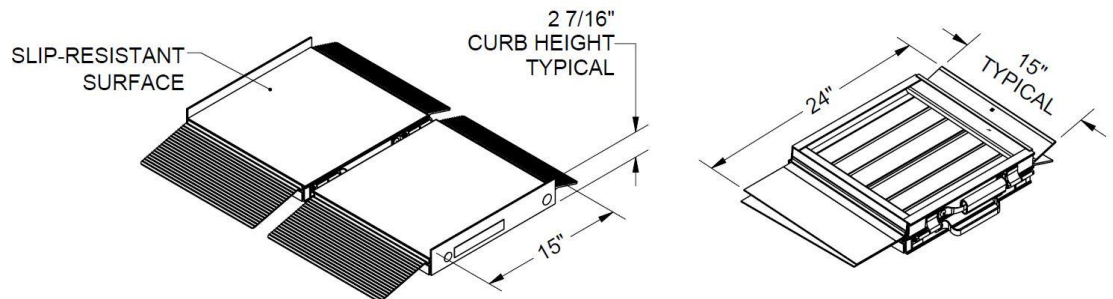
# SUITCASE® Singlefold AS Ramp Technical Specifications

MODEL	SUITCASE SFAS02	SUITCASE SFAS03	SUITCASE SFAS04	SUITCASE SFAS05	SUITCASE SFAS06
MADE OF ALUMINUM	✓	✓	✓	✓	✓
SLIP-RESISTANT SURFACE	✓	✓	✓	✓	✓
BUILT-IN CARRYING HANDLE	✓	✓	✓	✓	✓
USABLE SIZE (L x W)	2' x 29.5"	3' x 29.5"	4' x 29.5"	5' x 29.5"	6' x 29.5"
FOLDED SIZE (L x W x H)	24" x 15" x 4.5"	36" x 15" x 4.5"	48" x 15" x 4.5"	60" x 15" x 4.5"	72" x 15" x 4.5"
WEIGHT*	6 lbs./section (x2)	8 lbs./section (x2)	10 lbs./section (x2)	13 lbs./section (x2)	15 lbs./section (x2)
WEIGHT CAPACITY (DO NOT EXCEED)	800 lbs.	800 lbs.	800 lbs.	800 lbs.	800 lbs.
FOR WHEELCHAIRS & SCOOTERS	✓	✓	✓	✓	✓
USAGE GUIDELINES (RISE)**	Curbs, 1 step	Curbs, 1 step	Curbs, 1-2 steps	Curbs, 1-2 steps, some minivans	1-3 steps, some minivans & SUVs
WARRANTY	Lifetime Limited	Lifetime Limited	Lifetime Limited	Lifetime Limited	Lifetime Limited

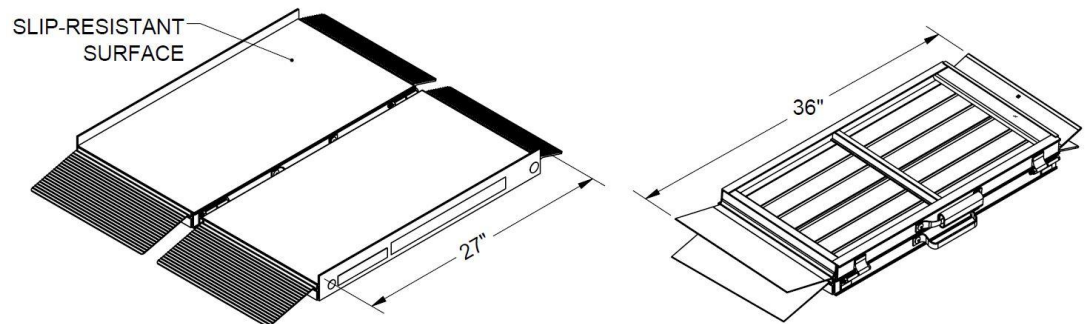
\*Weights and dimensions are approximate and subject to change.

\*\* Consult your equipment's owner guide for proper degree of incline. Never exceed its recommendations.

## SUITCASE SFAS02



## SUITCASE SFAS03



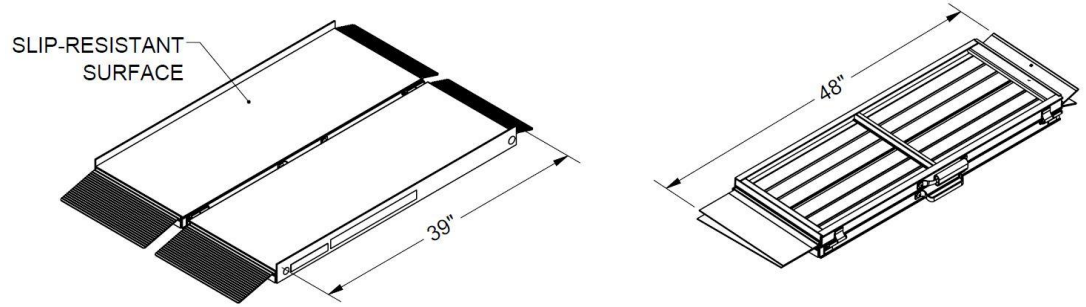
© EZ-ACCESS®, a division of Homecare Products, Inc. All rights reserved.

All text and images contained in this document are proprietary and may not be shared, modified, distributed, reproduced, or reused without the express written permission of EZ-ACCESS.

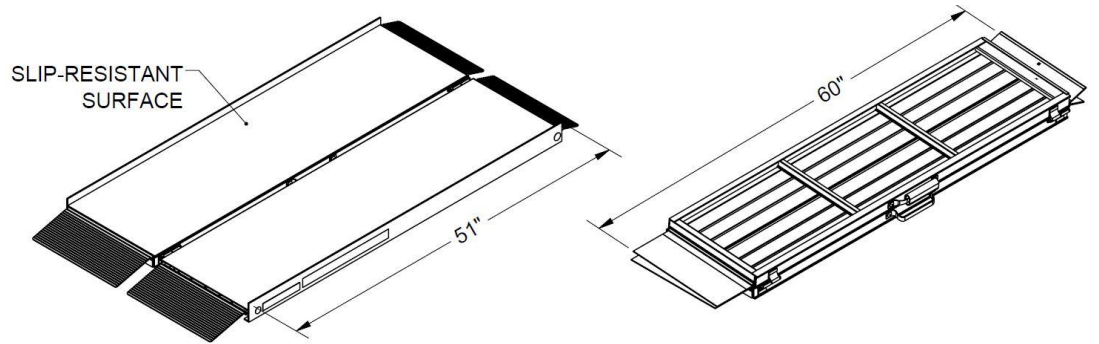


# SUITCASE® Singlefold AS Ramp Technical Specifications

## SUITCASE SF0AS4



## SUITCASE SFAS05



## SUITCASE SFAS06

